

HEADS UP REACTIVE SHOOTING TARGET INSTRUCTIONS



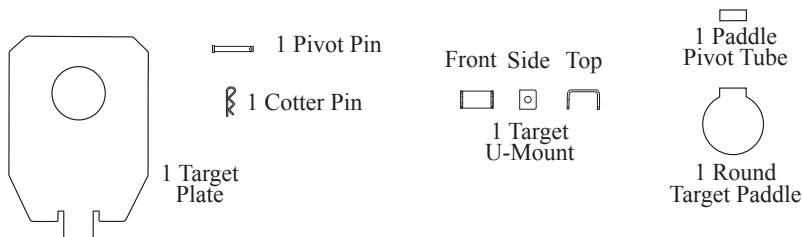
With a few simple steps you will be able to assemble the Spartan Armor Systems® Heads Up reactive shooting target. These instructions will cover the DIY package as well as the pre-welded target package.

The Spartan Armor Systems® Multi-purpose Base is recommended for all Spartan Armor Systems® shooting targets and is sold separately. The targets are to be used with a 46" angle iron shaft, with the dimensions of 1.5" x 0.25". This can be purchased at a local hardware store.

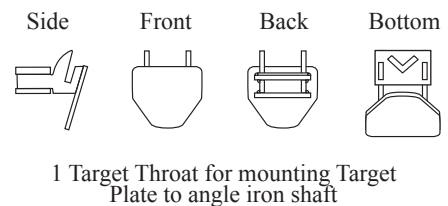


WHAT'S INCLUDED...

Shipping Box 1



Shipping Box 2
If Purchased



1] Take Paddle Pivot Tube (smaller tube) and weld it to the flat edge of the tang on the Round Target Paddle, centering pivot tube to tang.

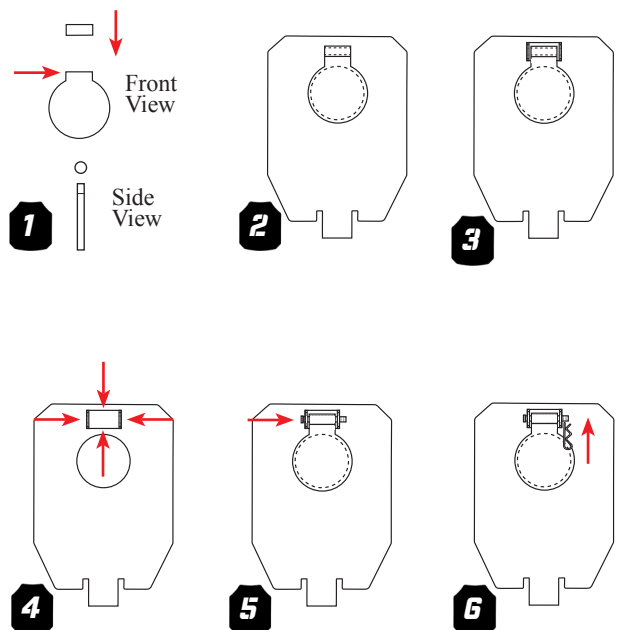
2] Place Target Plate flat on a work bench. Center the Round Target Paddle with welded pivot tube over the round opening in the Target Plate.

3] Slide the Target U-Mount under the Round Target Paddle pivot tube. The holes in the U-Mount will align with the hole in the paddle pivot tube. Tack weld the U-Mount and then remove the Target Paddle.

4] Weld the Target U-Mount in place. The DIY part is finished.

5] Align holes in U-Mount and Round Target Paddle and insert Pivot Pin all the way through to the other side of the Target U-Mount.

6] Insert Cotter Pin (from top or bottom) into hole in Pivot Pin to secure Target Paddle.



HEADS UP REACTIVE SHOOTING TARGET INSTRUCTIONS

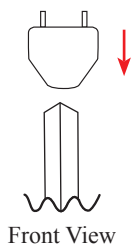
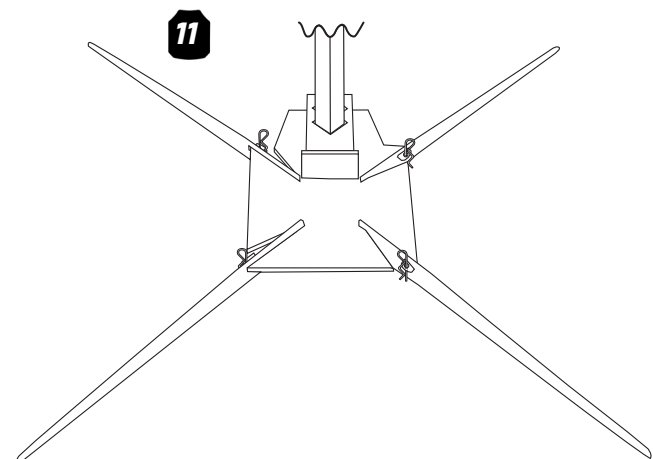
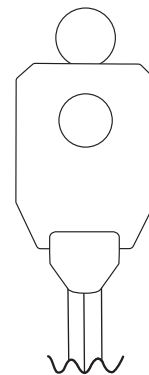
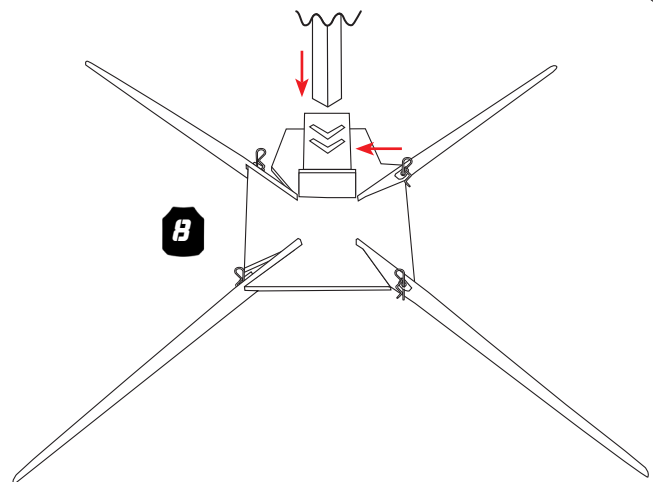
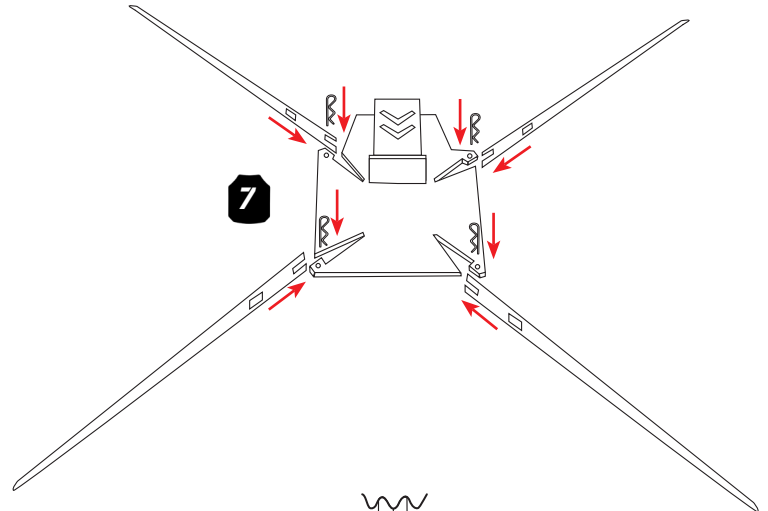
7) Assemble the Multi-purpose Base (sold separately) by inserting each of the 4 legs into the slots in the base plate, flat side down. Secure legs in place with each of the 4 cotter pins supplied with the Multi-purpose Base kit.

8) Insert the 46" x 1.5" x 0.25" angle iron shaft (sourced from a local hardware store) into the front "V" shaped slot in the Multi-purpose Base. This is the vertical position for use with this target system.

9) Place the Target Throat on top of the angle iron shaft by inserting the "V" shaped notch in the bottom of the Target Throat onto the shaft.

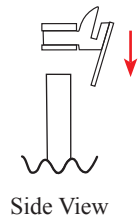
10) Slide the Target Plate into position by placing the Target Plate tang into the Target Throat, aligning the tang and slots, and pushing down to seat Target Plate. The Target Throat will give the Target Plate a forward lean, suitable for both pistol and rifle.

11) The target is now ready for use.

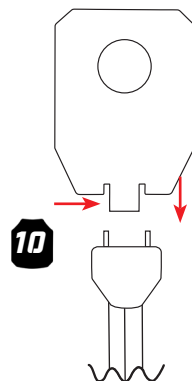


Front View

9



Side View



10

11