

TRIPLE TAP REACTIVE SHOOTING TARGET INSTRUCTIONS

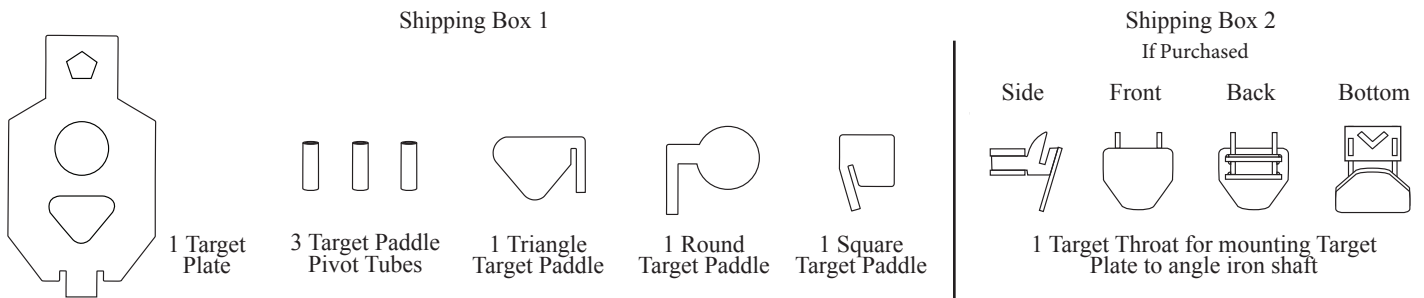


With a few simple steps you will be able to assemble the Spartan Armor Systems® Triple Tap reactive shooting target. These instructions will cover the DIY package as well as the pre-welded target package.

The Spartan Armor Systems® Multi-purpose Base is recommended for all Spartan Armor Systems® shooting targets and is sold separately. The targets are to be used with a 46" angle iron shaft, with the dimensions of 1.5" x 0.25". This can be purchased at a local hardware store.



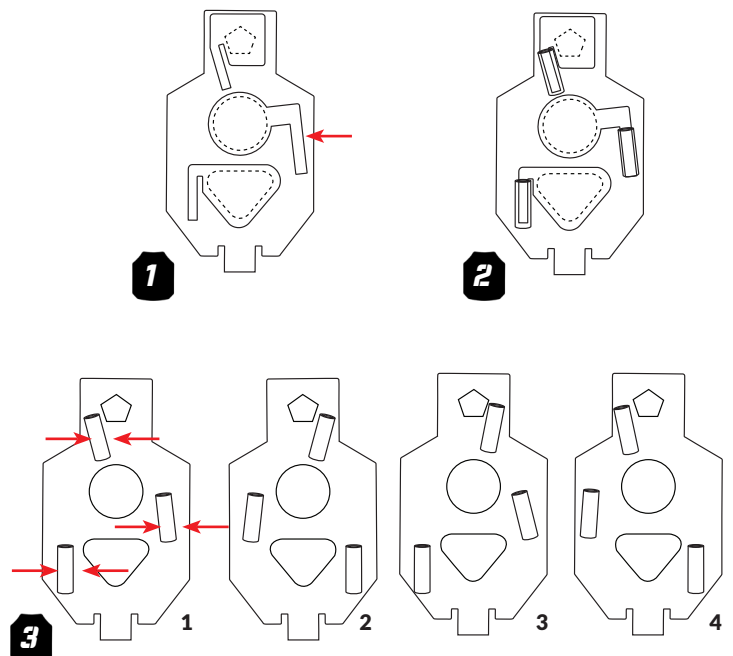
WHAT'S INCLUDED...



1] Place Target Plate flat on a work bench. Center the Triangle Target Paddle, the Round Target Paddle and the Square Target Paddle over their respective openings in the Target Plate. There are 4 configurations for the Target Paddles, see Figure 3 for placement. The Round Target Paddle may need to be placed at a slight angle so the swing action will clear the Triangle Target Paddle below. Round Target Paddle and Triangle Target Paddle must be placed on opposite sides of Target Plate.

2] Slide the Target Paddle Pivot Tubes over the Target Paddle arms and up to where the arms form a right angle. Tack weld the Target Pivot Tubes and then remove the Target Paddles.

3] Weld the Target Pivot Tubes in place. The DIY part is finished.



TRIPLE TAP REACTIVE SHOOTING TARGET INSTRUCTIONS

4) Assemble the Multi-purpose Base (sold separately) by inserting each of the 4 legs into the slots in the base plate, flat side down. Secure legs in place with each of the 4 cotter pins supplied with the Multi-purpose Base kit.

5) Insert the 46" x 1.5" x 0.25" angle iron shaft (sourced from a local hardware store) into the front "V" shaped slot in the Multi-purpose Base. This is the vertical position for use with this target system.

6) Place the Target Throat on top of the angle iron shaft by inserting the "V" shaped notch in the bottom of the Target Throat onto the shaft.

7) Slide the Target Plate into position by placing the Target Plate tang into the Target Throat, aligning the tang and slots, and pushing down to seat Target Plate. The Target Throat will give the Target Plate a forward lean, suitable for both pistol and rifle.

8) Insert the Target Paddles into the Pivot Tubes. The target is now ready for use.

